

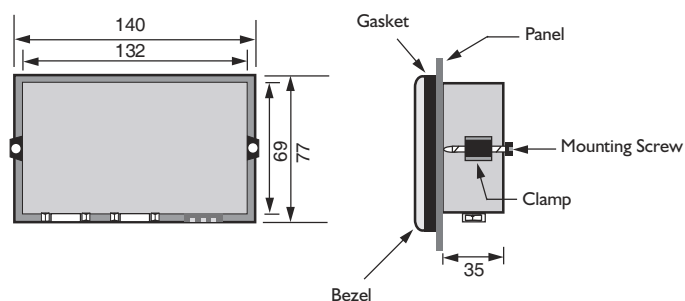
Analog Resistive Touch Screen Operator Interface featuring :

- 4.1" Yellow Backlit LCD (192 x 64 Pixels) Monochrome Touch Screen
- Two universal serial ports (Dual Port Support) to connect PLC / Printer / Programming Port
- Multilanguage (Unicode) support with Windows® fonts
- Direct connection to most controller families including Modbus RTU
- Upto 65535 user definable screens (full size) or pop-up windows (partial size)
- Real Time Clock
- Wizards for rapid application development of standard bitmapped objects
- Recipes, Alarms and Trending support
- Windows® based programming softwareFREE!!
- IP65 design, CE / UL certification

Specifications :

Power	: + 24V DC \pm 10%, 3.5 W max.	Immunity to ESD	: as per IEC61000-4-2
Bezel	: IP 65 rated Touch Screen	Immunity to Fast Transients	: as per IEC61000-4-4
Operating Temperature	: 0°C to 50°C	Immunity to Radiated electromagnetic field	: as per IEC61000-4-3
Storage Temperature	: -20°C to 80°C	Immunity to Conducted disturbances	: as per IEC61000-4-6
Touch Screen	: Analog resistive type	Surge	: as per IEC61000-4-5
Humidity	: 10% to 90% (Non-Condensing)	Radiated emission	: as per EN61000-6-4
Communication Ports	: Two serial ports. PLC port for connecting to a PLC. Second port for programming of Prizm, connecting to a serial printer, a third party device and another PLC or drive.	In-Rush Current	: 550 mA

Dimensions :



All dimensions are in mm.

Ordering Options :

Example : PZM-230-24-G

Model _____

Gray Case _____

Units are also available with Black case. Replace suffix 'G' by 'B' in unit part number for Black case.

Standard Objects :

Prizm230 supports different types of objects that can be defined on the screen. Partial list of objects is as mentioned below :

Text

User can define messages, alarms in simple text format. Four selectable font sizes are available for simple text objects (1x, 1.5x, 2x and 4x). Alarmobjects can show alarm text, ON / OFF text, status etc.

Lamps

Different types of lamps are provided in Prizm set up software to show conditions like alarms, go, no-go, ON, OFF etc. User defined images are possible for lamps.

Analog Meters

Multiple analog meters are made available in prizm setup software for graphical representation of parameters such as speed, level, temperature, electrical parameters etc. These analog meters can have different user defined scales.

Vector Graphics

Different vector graphics are available such as rectangle, ellipse, lines etc.

Buttons

Various types of buttons are provided in prizm setup software required for different applications. Tasks can be assigned to these buttons such as wizard control, alarm management etc.

Bargraphs

Prizm Touch Panels support different types of bargraphs like, top to bottom, bottom to top, left to right and right to left to denote parameters such as temperature, pressure, level etc. Multiple bargraphs are possible on one screen.

Pop-up Screens / Keypads

Prizm Touch Panels come with pop-up keypads such as numeric keypad which optimizes the use of Prizm display.

Bitmaps

Different bitmaps can be embedded on the Prizm screen. Transparent buttons can be used for data entry and set points on bitmap images.

More objects are being added. Contact factory for details.



Renu Electronics Pvt. Ltd.

Survey No. 2/6, Baner Road, Pune - 411045, India.

Tel: +91 20 2729 2840, Fax: +91 20 2729 2839

Email: info@renuelectronics.com

Website: www.renuelectronics.com

