

Port Multiplexer



PMX-00-B

Device to connect Two Masters to One Slave features :

- DIN Rail or Panel Mounted compact Port Multiplexer
- Hardware with three communication ports
- RS232 support for Master Ports. PLC port with RS232 / RS422 / 2 or 4 wire RS485 / CMOS
- Connect Two Master devices to any serial device (e.g. PLC, Drive) on same protocol
- Ideal for PLCs / Drives which have only one communication port
- Same model can be configured for different supported protocols
- Free Programming software for Port Multiplexer !!
- CE marked with optional UL/ CSA certification

Possible Applications :

Port Multiplexer allows the connection of two field devices to a single controller (PLC) over a serial link on time sharing basis with same protocols. Some of possible Port Multiplexer applications include :

1. HMI and SCADA Communication / PLC Programming to PLC.

Operator interface (Master 2)



X Protocol

Port Multiplexer



X Protocol



PLC



X Protocol

ASTRA (Master 1)

2. PLC communication with Analog I/O module and Operator Interface

Analog I/O Module (Master 2)



Y Protocol

Port Multiplexer



Y Protocol



PLC



Y Protocol

Operator interface (Master 1)

3. PLC communication with Different Operator Interfaces

Operator interface (Master 2)



Z Protocol

Port Multiplexer



Z Protocol



PLC



Z Protocol

Operator interface (Master 1)

Basic Port Multiplexer Operation :

Port Multiplexer is a Port Switch for devices like PLCs, Inverters, Controllers etc. Port Multiplexer has three serial ports that connect with three different devices that support same protocol. Port Multiplexer communicates with the PLC to get the information required by two master devices.

Windows® based Port Multiplexer Setup software helps the user to configure unit.

Once the Application is defined in Setup Software the configuration is downloaded in the Port Multiplexer.

The Unit can now communicate with the connected devices and transfer data between them.

System requirements for Port Multiplexer Setup Software are:

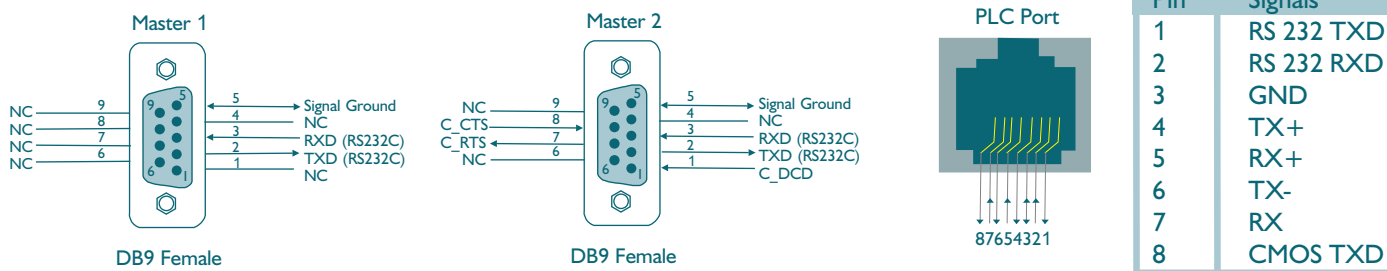
Windows Version	:	Microsoft Windows 9x / NT / 2000 / XP
Processor	:	PENTIUM or higher
Hard disk Space	:	5 MB or more
Mouse	:	Required
RAM	:	16 MB or more
Display resolution	:	800 X 600 (VGA) or better
Display colors	:	16 bit color

Other Items required for Port Multiplexer configuration:

1. Port Multiplexer unit
2. Port Multiplexer Configuration Cable
3. Port Multiplexer Setup Software
4. Devices with communication cables

Communication Ports :

Port Multiplexer has two identical communication ports Master1 and Master2 and third port to connect a PLC. Master ports are compatible to RS232 signal levels and PLC port supports RS232 / RS422 / 2 or 4 wire RS485 / CMOS signal levels. Pin details are given below:



*Do not use pin no. 6 of either of the Master ports.

**Refer Portmultiplexer user manual for specific cable details

PLCs Supported :

Port Multiplexer currently supports following PLC / Protocols:

- AB Df1 Full Duplex (Micrologix / SLC5/0x / PLC5/30)
- Aromat FP Series (Mewtocol)
- IDEC Micro3
- Modbus ASCII
- Modbus RTU
- Omron Host Link

Following PLCs / Protocols can also be supported in Port Multiplexer on request:

- ABB
- AB DH485 (SLC5/0x series)
- Baldor Drives
- Cegelec Alspa series
- CEGELEC
- Crouzet
- Delta DVP Series
- Entertron
- GE Fanuc Series 90-30, VersaMax
- Honeywell
- IDEC MicroSmart, IDEC Open Net
- Idec Micro 1 / FA2Jr PLCs
- J-BUS
- Keyence KV Series
- Koyo
- LG MasterK 80S-300S
- Messung XMP-8 / NEXGEN 4000 / NEXGEN 5000
- Mitsubishi FX
- Modbus Slave
- Omron NT Link
- Siemens Step-7 Micro
- Siemens-S7-200 Series
- Siemens S7-300 Series
- Taian TP02 Series
- Telemecanique TSX07/37/57
- Telemecanique 17, 47 & 67 Series
- Toshiba T series (Prog Port)
- Toshiba T1, T2, T3, V series (Link Port)
- Twido
- USS Protocol
- Yaskawa

We welcome an opportunity to develop new, custom drivers and customization of Port Multiplexer products.

Specifications :

Power	:	+ 24 V DC \pm 10%, 100mA max	Mounting	:	DIN rail or back panel mounting
LED's	:	4 LED's for status indication	Dimensions (DIN rail)	:	105mm(L) X 40mm(D) X 51mm(W)
Communication Ports	:	3 Communication ports	Weight	:	125 gm approx.
(Isolation between communication ports and Power supply, through DC-DC coupler is 1 KV)			Approvals	:	CE, CSA
PLC Port	:	Connects to PLC	Immunity to ESD	:	Level 3 as per IEC1000-4-2
Master 1	:	Connects to Master Device 1	Immunity to Transients	:	Level 3 as per IEC1000-4-4
Master 2	:	Connects to Master Device 2	Immunity to Radiated RF	:	Level 3 as per IEC1000-4-3
Temperature	:	Operating : 0° to 50°C	Immunity to Conducted RF	:	Level 3 as per IEC1000-4-6
		Storage : -20° to 80°C	Emissions	:	En55011 CISPR A
Humidity	:	10% to 90% (Non condensing)			

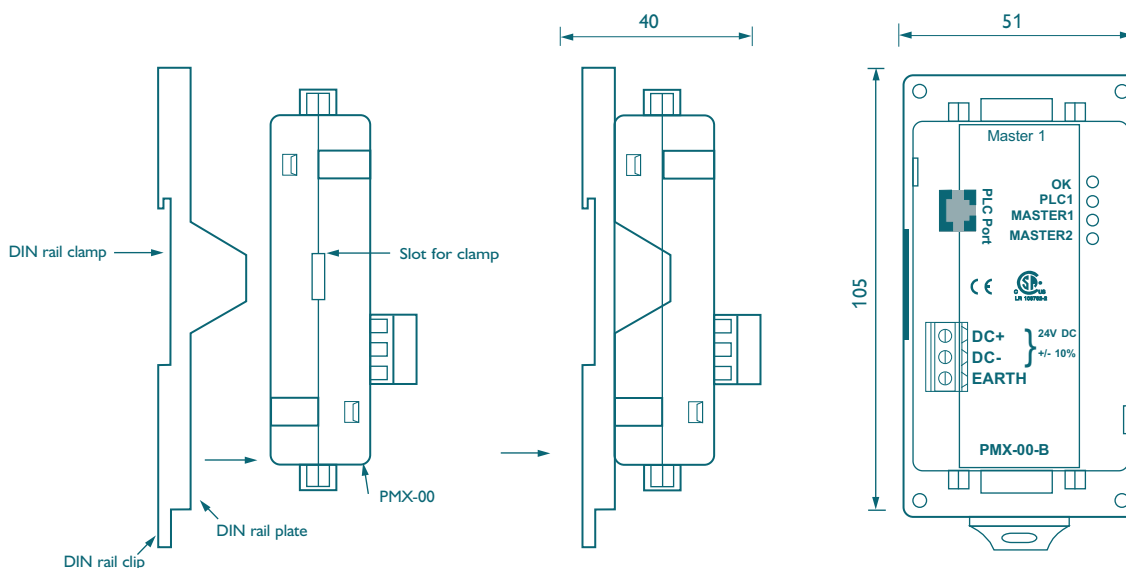
Ordering Options :

Example: **PMX-00-B**

Model _____
 + 24 V DC External Supply _____
 Black Case _____

* Units are also available with Gray case. Replace suffix 'B' by 'G' in unit part number for Gray case.

Dimensions :



All dimensions are in mm.



Renu Electronics Pvt. Ltd.

Survey No. 2/6, Baner Road, Pune - 411045, India.

Tel: +91 20 2729 2840, Fax: +91 20 2729 2839

Email: info@renuelectronics.com

Website: www.renuelectronics.com

