

Eagle-0800



Eagle-0404



Eagle-0201-0302

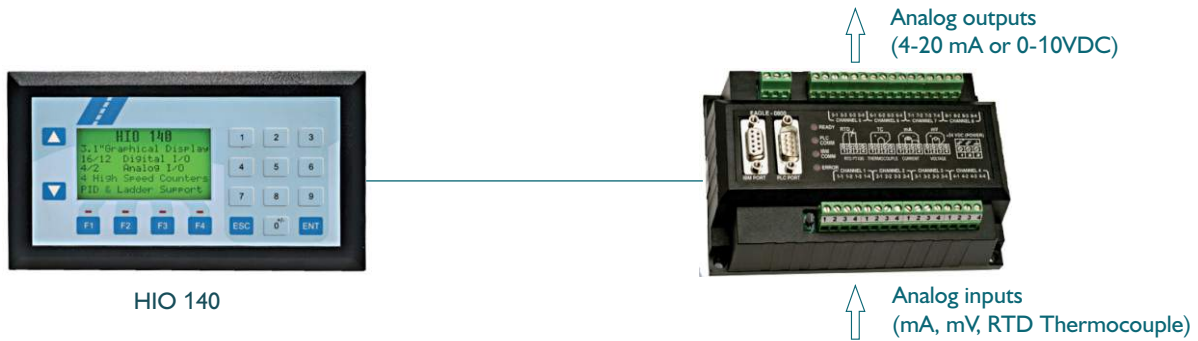
### Universal Analog I/O Modules :

- DIN Rail or Panel mounted compact I/O modules
- Indication for Diagnostics, Power and Communication
- Adds I/O capability to your PLC, SCADA and Modbus networked devices
- Programmable inputs allow same modules to accept RTD, Thermocouple, mA, mV
- 12 bit 8 universal analog inputs with or without analog outputs
- Direct connection to PLC programming terminal with support for most PLCs
- Can be multidropped as Modbus Slave on RS485 Network
- Common Programming software for the entire Eagle family.....FREE!!
- CE and CSA marked

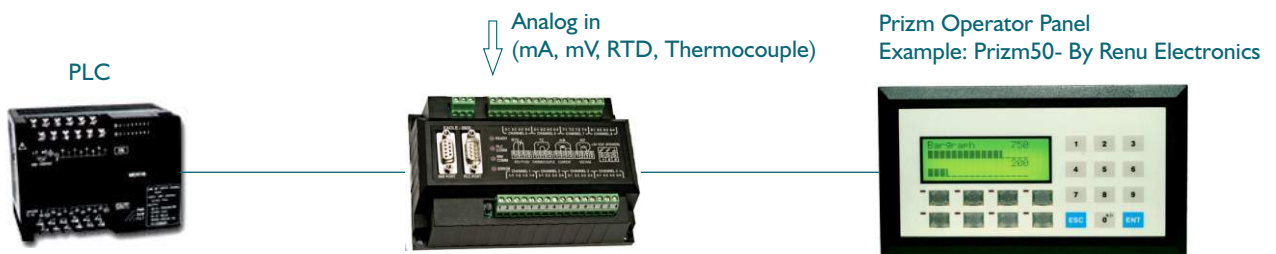
## Possible Applications :

Our customers have used the Eagle units in various applications across many industries. Typical configuration includes the following :

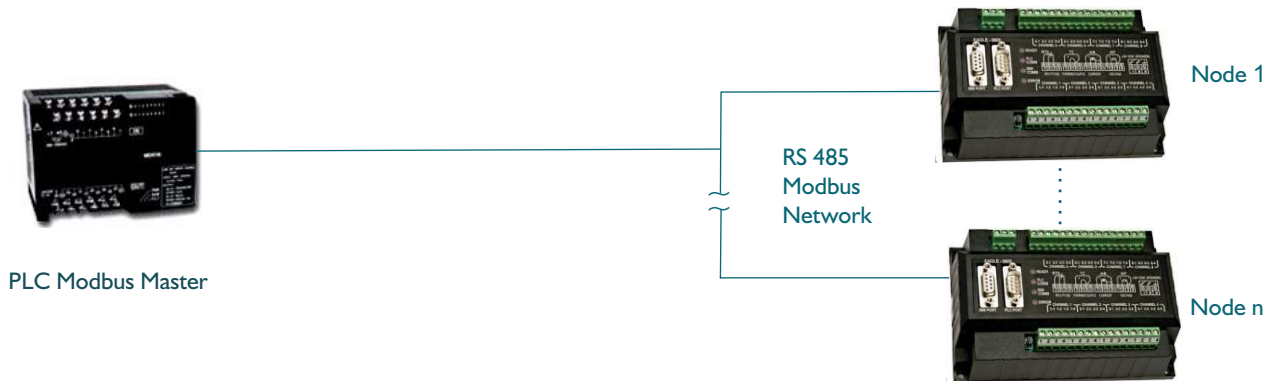
### 1. Add analog I/O to your Controller.



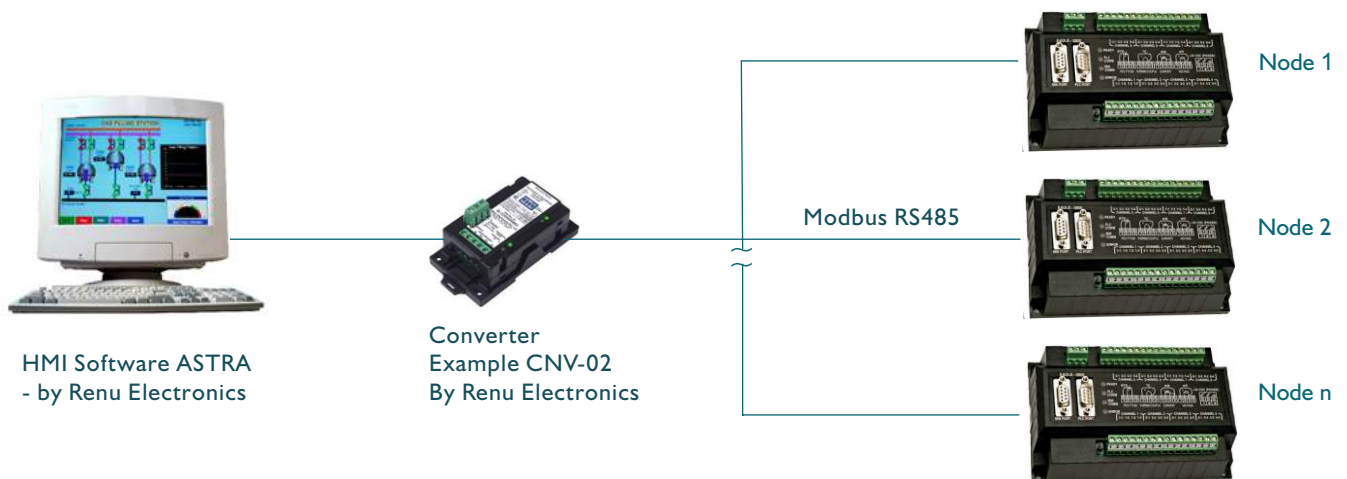
### 2. Prizm Operator Interface on Pass-through port.



### 3. Multiple Eagle units (Modbus Slaves) connected to Modbus Master

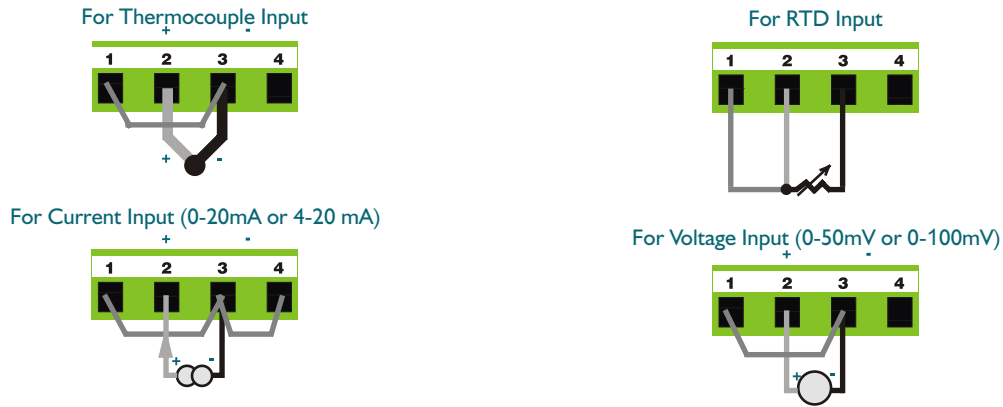


### 4. Data Acquisition Application (SCADA Connectivity)



# Typical Wiring Diagrams :

## Inputs



## Outputs



# Specifications :

### For Voltage inputs:

Uses 0-100 mV input range resolved in 12 bits.  
For higher input ranges, use externally calibrated shunt or contact factory  
Total error :  $\pm 0.1\%$  of scale  $\pm 1$  bit.

### For Current inputs:

Uses 0-20mA input range with 5 $\Omega$  precision shunt resolved in 12 bit.  
Total error :  $\pm 0.1\%$  of scale  $\pm 1$  bit.

### For RTD input:

Uses 3 wire compensation technique. Current sense is 0.5mA.  
Power dissipated in RTD is 0.025mW @ 100 $\Omega$ .  
Range supported : -200 to 850 $^{\circ}$ C.

### For Thermocouple Input:

Uses 0-100mV input range resolved into 12 bits for positive input and resolved in 11 bits for negative inputs.  
Cold junction error is 1 $^{\circ}$  maximum and 0.5 $^{\circ}$  typical.  
Total error :  $\pm 0.5\%$  of scale  $\pm 1$  bit + CJC error

Input Type	Temperature Range	1 Bit Corresponds to
J	-210 to 770 $^{\circ}$ C	0.43 $^{\circ}$ C
K	-200 to 1373 $^{\circ}$ C	0.61 $^{\circ}$ C
E	-200 to 1000 $^{\circ}$ C	0.32 $^{\circ}$ C
R	-50 to 1769 $^{\circ}$ C	2.04 $^{\circ}$ C
S	-50 to 1769 $^{\circ}$ C	2.31 $^{\circ}$ C
B	0 to 1820 $^{\circ}$ C	3.21 $^{\circ}$ C
N	-200 to 1300 $^{\circ}$ C	0.7 $^{\circ}$ C
T	-200 to 400 $^{\circ}$ C	0.47 $^{\circ}$ C

### Analog Outputs

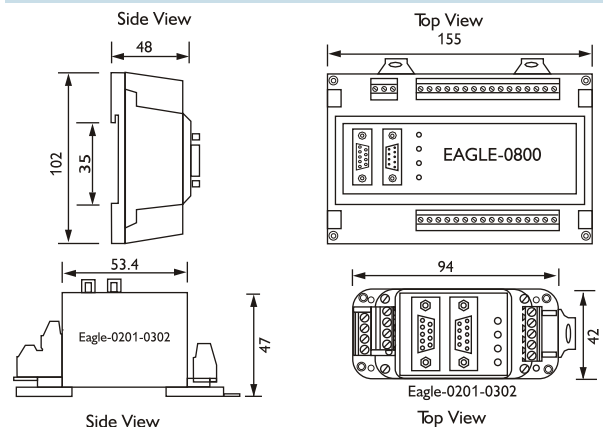
Resolution	12 Bit
<b>Load:</b> 4-20 mA 0-10 V DC Temperature Drift (for Digital Count)	Less than 500 $\Omega$ Minimum 400 $\Omega$ 60 PPM

# General Specifications :

Power	: 24V DC $\pm 5\%$ , 3.5W maximum
Operating Temperature	: 0 $^{\circ}$ to 50 $^{\circ}$ C
Storage Temperature	: -20 $^{\circ}$ to 80 $^{\circ}$ C
Humidity	: 10% to 90% (Non condensing)
Mounting	: DIN rail or back panel mounting
Dimensions	:
Eagle-0404, Eagle-0800	: 155mm X 102mm X 48mm
Eagle-0201-0302	: 94mm X 42mm X 47mm
Immunity to ESD	: 8kV air, 6kV contact as per IEC 61000-4-2
Transient Immunity	: 2kV as per IEC 61000-4-4
Radiated Immunity	: 10V/meter as per IEC 61000-4-3
Emissions	: EN55011 CISPR A
Isolation	: Analog section from digital. No isolation between channels.
IBM Port	: Connects to PC for application Download or operator interface for Pass-through.
PLC Port	: Connects to PLC.

Response time : Depends on driver.  
Typical 200 mSec / Channel

## Dimensions



All dimensions are in mm.

## Basic Operations :

Eagle units accept universal field inputs (such as RTD, T/C, mA, and mV) and convert them to actual field values like temperature, pressure etc. before sending them to the PLC. Similarly it can also read values in PLC registers and scale the 4-20mA output accordingly.

Input and Output channels of the Eagle are user configurable and any combination of input types is possible. Eagle Setup Software helps the user to configure the Eagle units and use them as per his requirements.

Linearization: 16 point linearization is provided for mV and mA inputs, which helps the user to convert non-linear segments into required engineering value.

Eagle units have two Communication Ports. Port1 (RS232/485) is connected to PLC and Port2 acts as Programming or Slave Port. Any Prizm model can be connected on Port 2 as a HMI.

### System requirements for Eagle Setup Software are:

Windows Version	:	Microsoft Windows 3.1 or higher
Processor	:	386 or higher
Hard disk Space	:	3 MB or more
Mouse	:	Required
RAM	:	2 MB or more
Display resolution	:	640 x 480 (VGA) or better
Display colors	:	16 colors or more

### Other Items required for Eagle configuration:

1. Eagle unit
2. +24VDC regulated power supply
3. IBM Cable (Partcodes: IBM 0909-1 or IBM 0925-1)
4. Eagle Setup Software
5. Eagle to Device cable

## Models :

Model	Analog Inputs	Analog Outputs	Digital Input	Digital Output	Part Number
Eagle 0201#	2 Universal	1 (4-20 mA)	3	2	Eagle-0201-0302-U
Eagle 0404	4 Universal	4 (4-20 mA / 0-10 V DC)	0	0	Eagle-0404-U
Eagle 0800	8 Universal	0	0	0	Eagle-0800-U

### Listing CE/CSA

More models are being added. We also make custom models . #Supports only Modbus RTU (Needs Eagle software ver. Eagle0201\_SP)

## PLCs Supported :

PLC	COM Port	Cable part number (Eagle0404, Eagle0800)	Pass-through Support
AB Micrologix	RS232	SC-E-027A-00	✓
AB SLC 500 (DF1 and DH485)	RS422	SC-E-007-00	Network
Aromat FP0 Series	RS232	SC-E-015A-00	✓
Aromat FP1	RS485	SC-E-015B-00	✓
Delta DVP Series	RS232	SC-E-044-00	✓
Fuji NB0	RS485	SC-E-028-00	X
GE Series 90-30 (SNP)	RS485	SC-E-002-00	✓
GE VersaMax, RJ45	RS232	SC-E-002A-00	✓
GE VersaMax, DB9	RS232	SC-E-002B-00	✓
IDEC Micro3	RS422	SC-E-025A-00	✓
IDEC MicroSmart	RS232	SC-E-025B-00	✓
Keyence KV Series	RS232	SC-E-018-00	✓
Koyo DL205	RS232	SC-E-005-00	X
LG-Master K Series	RS232	SC-E-037-00	X
Mitsubishi FX0	RS485	SC-E-008A-00	✓
Modbus Slave	RS232/RS485*	User Supplied	Multidropping
Omron (Host Link) - 9 pin	RS232	SC-E-006B-00	✓
Omron (Host Link) - 25 pin	RS232	SC-E-006C-00	✓
Siemens S7-200 / Micro	RS485	SC-E-029-00	✓
Telemecanique TSX07/37	RS422	SC-E-026A-00	Network
Telemecanique TSX17	RS485	SC-E-017A-00	X
Toshiba T1	RS232	SC-E-019A-00	✓
Toshiba T2	RS232	SC-E-019B-00	✓

\* Software selectable. New PLC drivers are constantly added. Please contact factory for more information. We welcome an opportunity to develop new , custom drivers and customized units.



### Renu Electronics Pvt. Ltd.

Survey No. 2/6, Baner Road, Pune - 411045, India.

Tel: +91 20 2729 2840, Fax: +91 20 2729 2839

Email: info@renuelectronics.com

Website: www.renuelectronics.com

