



CIS-00-B

Current Isolator featuring:

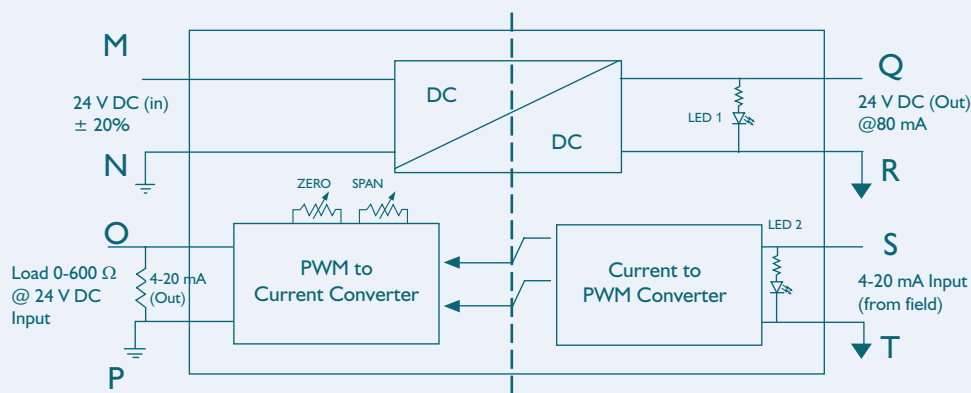
- DIN Rail or Panel Mounted compact Current Isolator
- Isolated Input, Output and Power Supply (3 Port Isolation)
- 4-20 mA Input
- 4-20 mA isolated output
- Output zero and span set by use of potentiometer
- Additional isolated 24 V DC power source for loop powering

The CIS-00 from Renu Electronics provides an isolated 4-20 mA output proportional to a 4-20 mA input. It is used when the load needs to be isolated from the current source in various applications. In addition to the current isolation the CIS-00 also provides isolated + 24 V DC for powering the loop.

Specifications

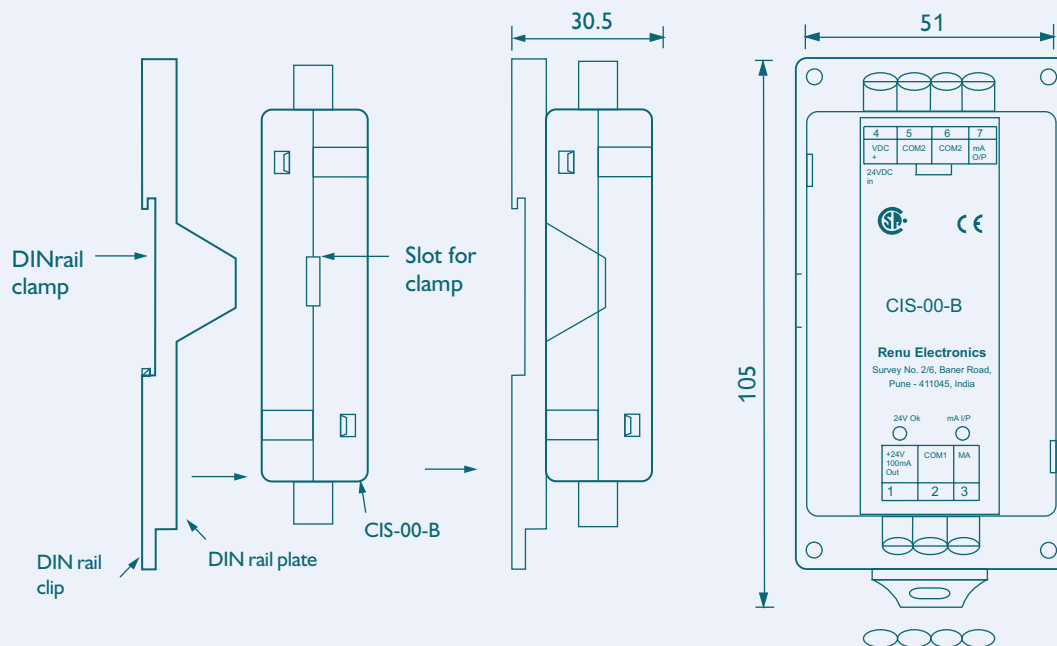
Power Supply	: + 24 V DC \pm 20% @ 250mA	Input /output Isolation	: 1500 VDC minimum
Current Input	: 4-20 mA	Output load	: 750 Ohm max @ 24 V DC
Terminal	: Removable	Operating temperature	: 0° to 60° C
Current Output	: 4 - 20mA (Isolated)	Storage temperature	: -25° to 85° C
Output Power	: + 24 V DC @ 100mA max	Operating humidity	: 10% - 90% Non-Condensing
LED 1	: Light when 24 V DC Output is within range	Unit dimensions	: 75mm x 46.5mm x 24mm
LED 2	: Glow proportional to current input	Unit color	: Black
Accuracy	: 0.25% of full scale	Mounting	: DIN rail mounting
Linearity	: 0.04%	Immunity	: As per EN50052-2
		Emission	: As per CISPR EN 55011
		Input Power Protection	: Automatically Resettable Fuse

Block Diagram



Model	Inputs
CIS-00-B	Current

Dimensions



All dimensions are in mm.



Renu Electronics Pvt. Ltd.

Survey No. 2/6, Baner Road, Pune - 411045, India.

Tel: +91 20 2729 2840, Fax: +91 20 2729 2839

Email: info@renuelectronics.com

Website: www.renuelectronics.com

