

The ASC 162 from Renu Electronics provides a convenient way to make any ASCII based host, like a PC, to display data at remote locations using the ASCII protocol defined for each unit.

- Compact 1/8 DIN size case
- RS232 port for communication with host
- Function keys, 2 LEDs
- 24 VDC power supply

PARAMETERS

The ASC 162 has various parameters. The following types of parameters are amongst the few that can be changed:

COMMUNICATION PARAMETERS

The different communication parameters are :
Baud rate, Parity, Data bits, Stop bits, Station address (multiple units can be connected to the host).

KEYBOARD PARAMETERS

These parameters enable or disable the keypad of the unit.

DISPLAY PARAMETERS

The various display parameters are Cursor display enable / disable, Local echo enable / disable, Autowrap enable / disable, Setting the tab width, Line terminator, Locating the cursor, etc.

GENERAL PURPOSE PARAMETERS

This parameter group includes parameters like: Clear display and Output buffer, Load default values for all the parameters of the unit, Set the mode of operation of the unit, define the keys to perform different actions like printing an ASCII character or ASCII text string, etc.

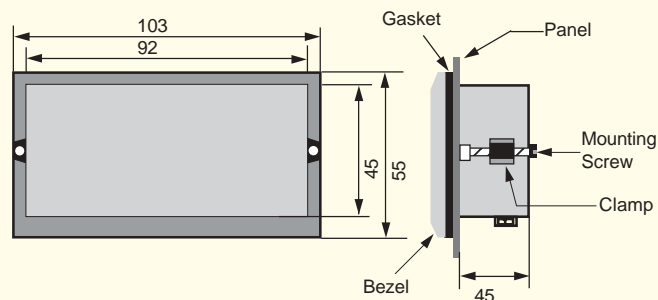
A function key can be defined to:

- Assign any ASCII character
- Assign an ASCII string.

Specifications

Power	: 24 VDC \pm 10%, 3 W maximum
Display	: 2 lines of 16 characters backlit LCD
Bezel	: IP65 rated membrane keypad
Temperature	: Operating : 0 to 50 degrees C Storage : -40 to 90 degrees C
Humidity	: 10% to 90% (Non condensing)
Size	: Bezel : 103 mm X 55 mm Depth : 45 mm
Panel cutout	: 92 mm X 45 mm (1/8 DIN size cutout)
Communication	: Using the standard communication port of the master
Immunity to ESD	: Level 3 as per IEC1000-4-2
Immunity to Transients	: Level 3 as per IEC1000-4-4
Immunity to Radiated RF	: Level 3 as per IEC1000-4-3
Immunity to Conducted RF	: Level 3 as per IEC1000-4-6
Emissions	: EN55011 CISPR A

Dimensions in mm.



Factory:

Renu Electronics Pvt Ltd.
S.No. 2/6, Baner Road,
Pune 411045, India.
Tel: + 91 20 2729 2840, Fax: + 91 20 2729 2839
Email: info@renuelectronics.com
Website: www.renuelectronics.com

